

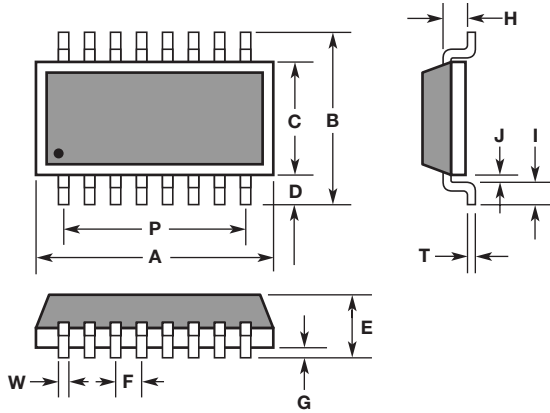
Surface Mount Resistor Networks

“THR-MG” is a MINI FLAT Surface Mount Resistor Network having high quality thick film resistors sealed in a molded package.

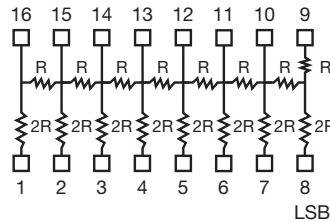
Features

- Surface Mount Applications
- Maximum seated height of 1.70 mm (0.070")
- Short terminal pitch (lead spacing) of 1.27 mm (0.050")
- Compatible with all Surface Mounting Equipment

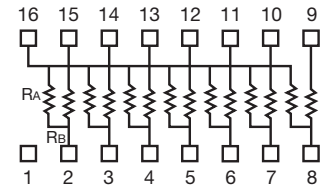
Dimensions



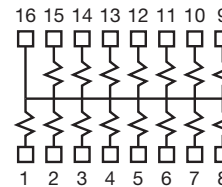
L
(Ladder Circuit)
• 4~8 Bits (DC 20V max)
• FSA $\pm 1/2$ LSB



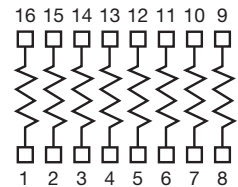
D
(Voltage Divider)



P
(Parallel Circuit)



I
(Isolated Circuit)



Unit: mm

A	B	C	D	E	F	G	H	I	J	P	T	W
11.0	7.7	5.7	1.0	1.7	1.27	0.1	0.75	0.3	0.5	8.89	0.18	0.4
± 0.2	± 0.2	max.	± 0.1	± 0.2	± 0.2	± 0.05	max.	min.	max.	± 0.1	± 0.02	± 0.05

Rating

Requirements	MGI	MGP
Number of Terminals	16 Pin	
Rated Environmental Temp.	70°C	
Element Rated Power	160mW	80mW
Overall Rated Power	1.28W	1.2W
Max. Operating Voltage	50V	
Operating Temp. Range	-55°C ~ +125°C	
Temperature Coefficient of Resistance	+100PPM/°C	+200PPM/°C
Resistance Value Tolerance	$\pm 2\%$ (G) $\pm 5\%$ (J) $\pm 10\%$ (K)	
Resistance Value Range	33 ohms ~ 2.2M ohms	

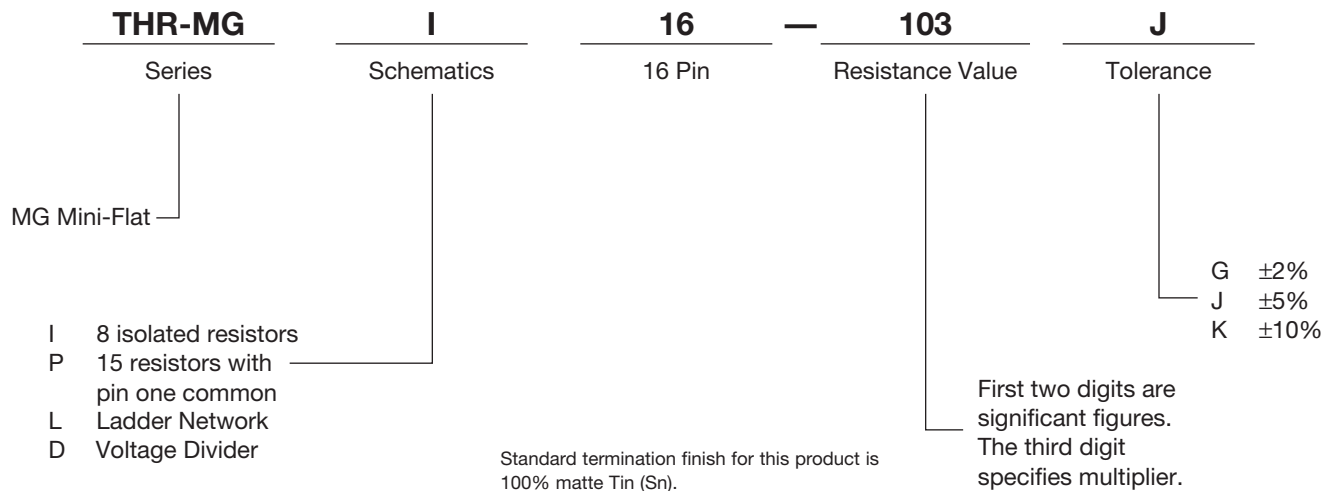
All components in this section are RoHS compliant per the EU directives and definitions.

Characteristics

Test method EIAJ-RC-2680;MIL-R-83401C

Requirements	Characteristics
Short-time Overload	$\pm(0.5\% \pm 0.05 \Omega)$
Temperature Cycling	$\pm(0.5\% \pm 0.05 \Omega)$
Resistance to Soldering Heat	$\pm(0.5\% \pm 0.05 \Omega)$
Dielectric with Standing V	$\pm(0.5\% \pm 0.05 \Omega)$
Insulation Resistance	Over $10^4 M$
Terminal Strength (Pull)	$\pm(0.5\% \pm 0.05 \Omega)$
Terminal Strength (Bend)	$\pm(0.5\% \pm 0.05 \Omega)$
Moisture Resistance Load Life	$\pm(1\% \pm 0.05 \Omega)$
Load Life	$\pm(2\% \pm 0.05 \Omega)$

How To Order



Please consult your sales representative for further specific requirements such as: Resistance values; tolerances; ratio matching; and circuit construction.